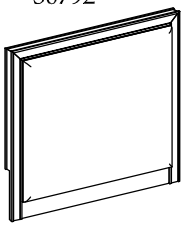
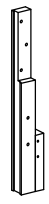
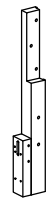

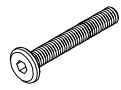


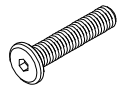




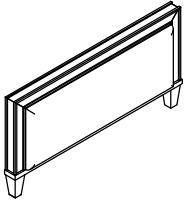
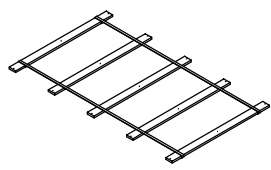

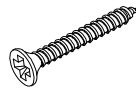
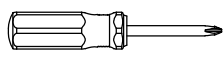
Warning :

- Be sure to check all packing material carefully for small parts, which may have come loose inside the carton during shipment.
- To prevent possible scratches and damage, this furniture **MUST BE ASSEMBLED BY TWO PEOPLE** on a soft surface such as a blanket or carpet.

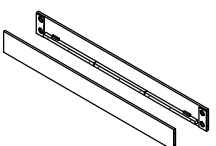


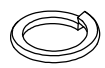
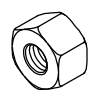
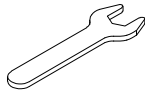
Hardware and Parts packed with the Headboard

<p>Twin Upholstered Headboard - 30792</p>  <p>(H-A) 1 pc</p>	<p>Headboard Post (Left)</p>  <p>(H-B) 1 pc</p>	<p>Headboard Post (Right)</p>  <p>(H-C) 1 pc</p>	<p>Headboard Stretcher</p>  <p>(H-D) 1 pc</p>		
<p>Allen Head Bolt M6-32 x 40mm</p>  <p>(H-E) 2 pcs</p>	<p>Flat Washer Ø6 x Ø13mm</p>  <p>(H-F) 2 pcs</p>	<p>Lock Washer Ø9 x Ø13mm</p>  <p>(H-G) 8 pcs</p>	<p>Allen Head Bolt M8-32 x 55mm</p>  <p>(H-H) 6 pcs</p>	<p>Flat Washer Ø8 x Ø20mm</p>  <p>(H-I) 6 pcs</p>	<p>Allen Key 4 x 110mm</p>  <p>(H-J) 1 pc</p>

Hardware and Parts packed with the Footboard

<p>Twin Upholstered Footboard - 30793</p>  <p>(F-A) 1 pc</p>	<p>Wood Slat (40-1/2" long)</p>  <p>(F-B) 1 set</p>	<p>Support leg (7-3/4" x 1-1/4" x 1-1/4")</p>  <p>(F-C) 5 pcs</p>	<p>Wood Screw Ø4 x 25mm</p>  <p>(F-D) 10 pcs</p>	<p>Tool Required (not provided) Phillips Screwdriver</p> 
---	--	--	---	--

Hardware and Parts packed with the Bed Rails

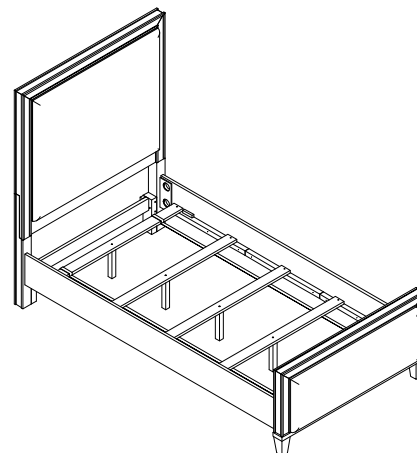
<p>Bed Rails - 30779</p>  <p>(R-A) 2 pcs</p>	<p>Thread Bolt M8-32 x 70mm</p>  <p>(R-B) 8 pcs</p>	<p>Arc Washer 14 x 26mm</p>  <p>(R-C) 8 pcs</p>	<p>Lock Washer Ø10 x Ø15mm</p>  <p>(R-D) 8 pcs</p>	<p>Hex Nut M8-32 x 7mm</p>  <p>(R-E) 8 pcs</p>	<p>Open Wrench 13 mm</p>  <p>(R-F) 1 pc</p>
--	--	--	---	---	--

3/3 Twin Bed

30792 - 3/3 Upholstered Headboard

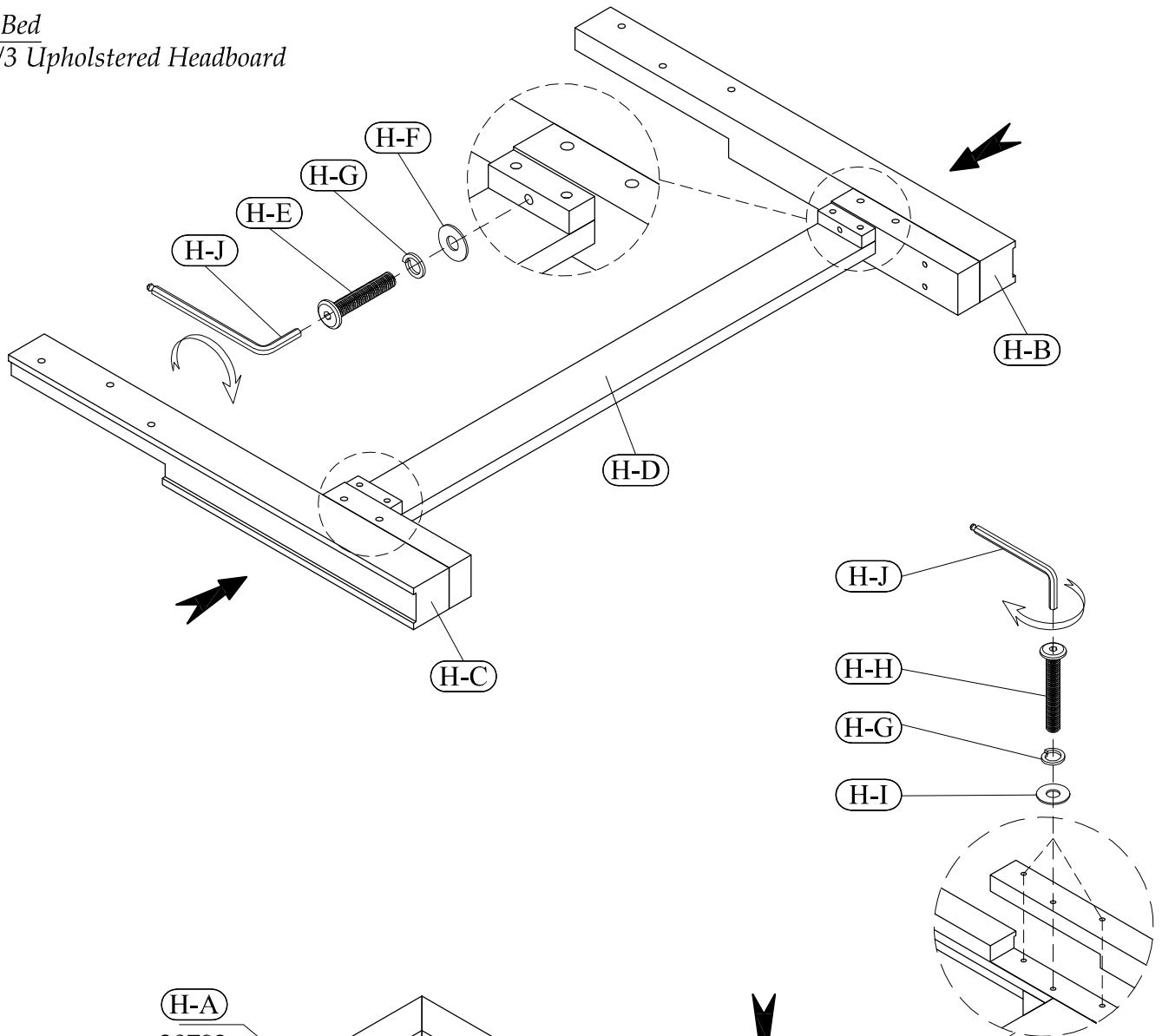
30793 - 3/3 Upholstered Footboard

30779 - 3/3-4/6 Twin-Full Bed Rails

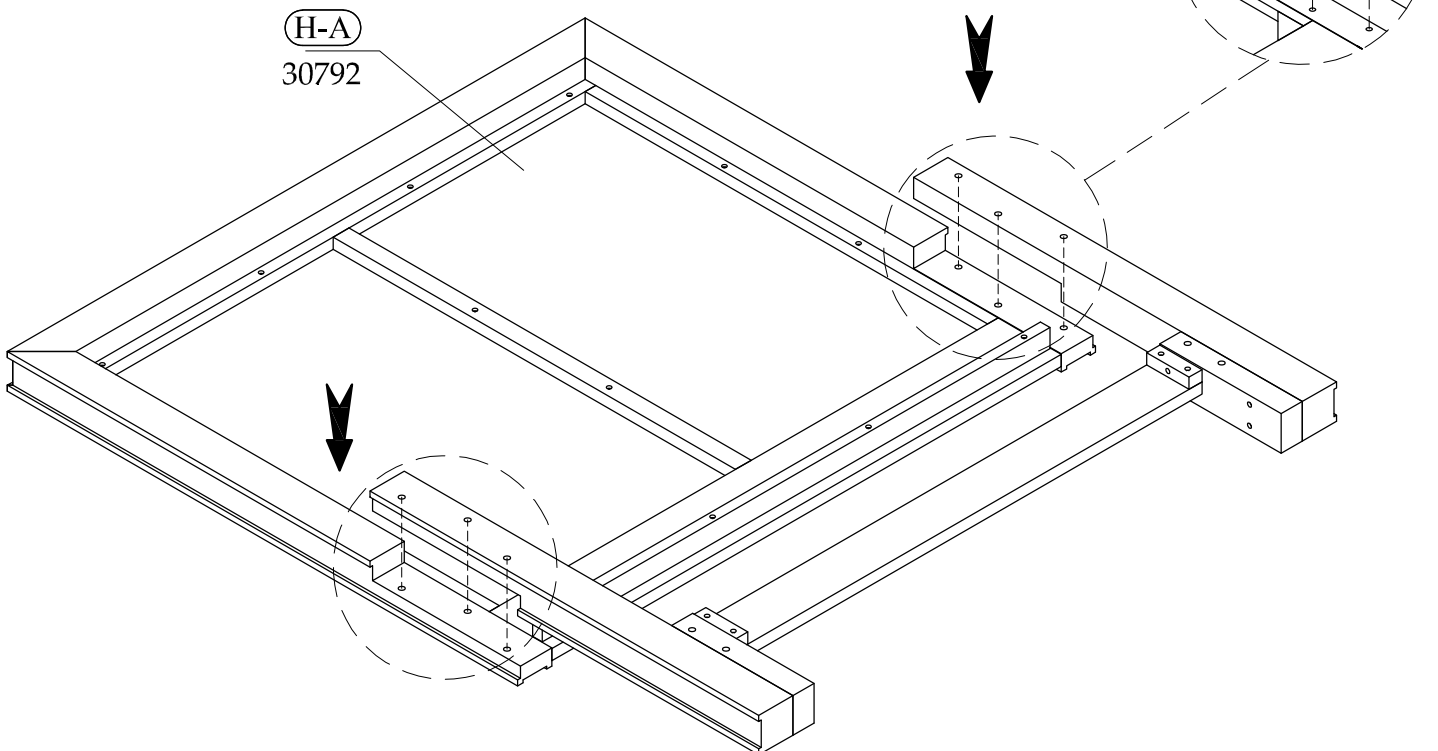


STEP 1

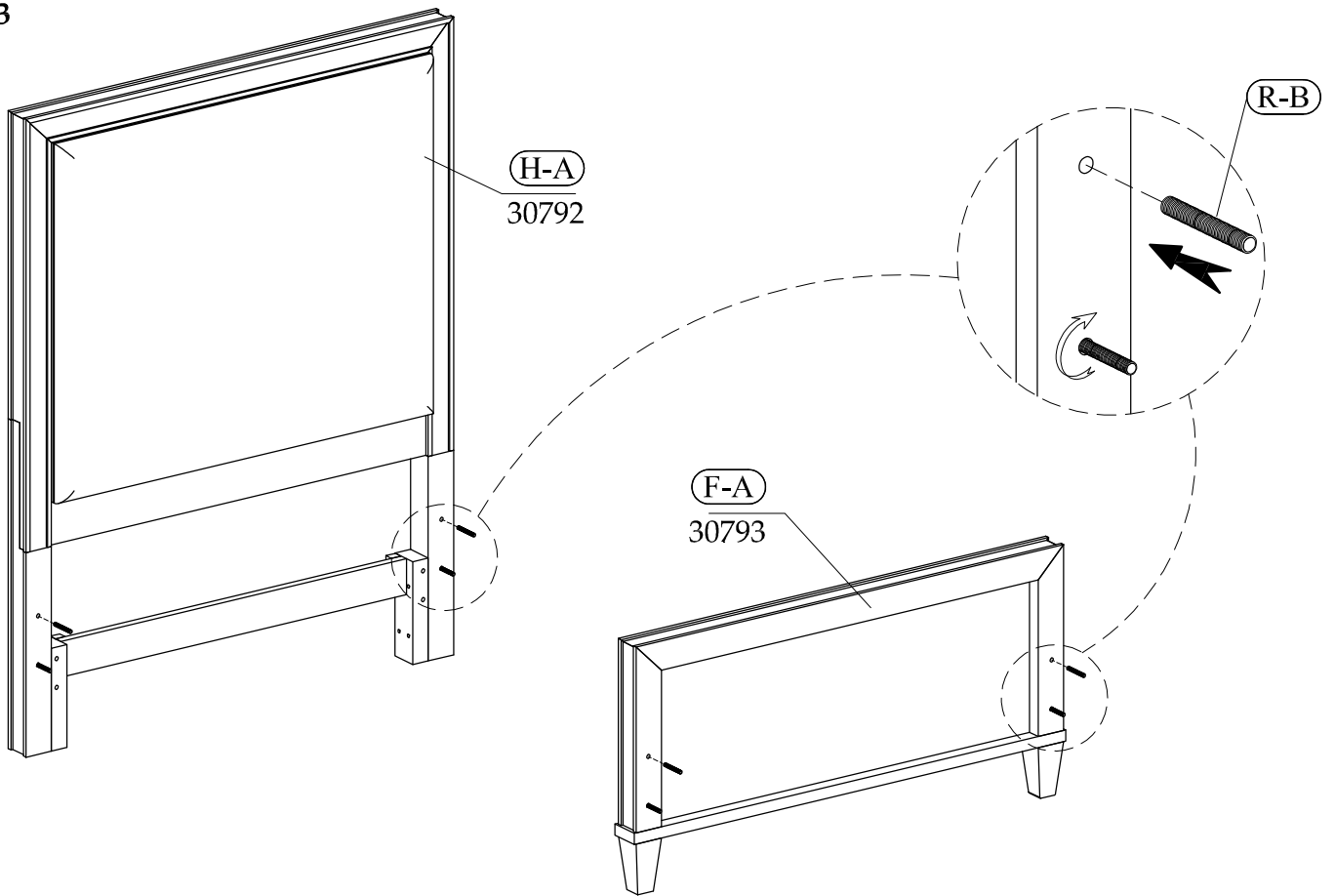
3/3 Twin Bed
30792 - 3/3 Upholstered Headboard



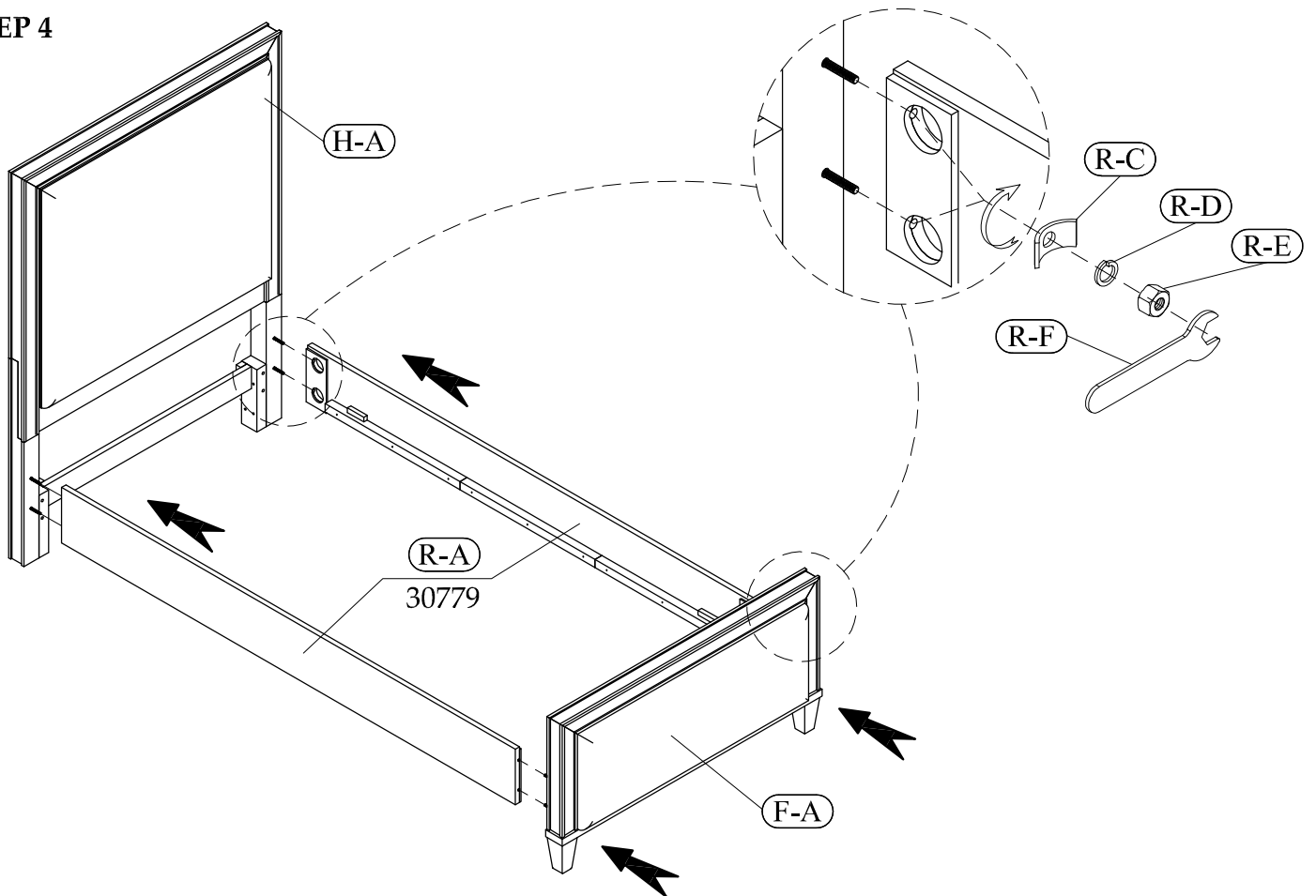
STEP 2



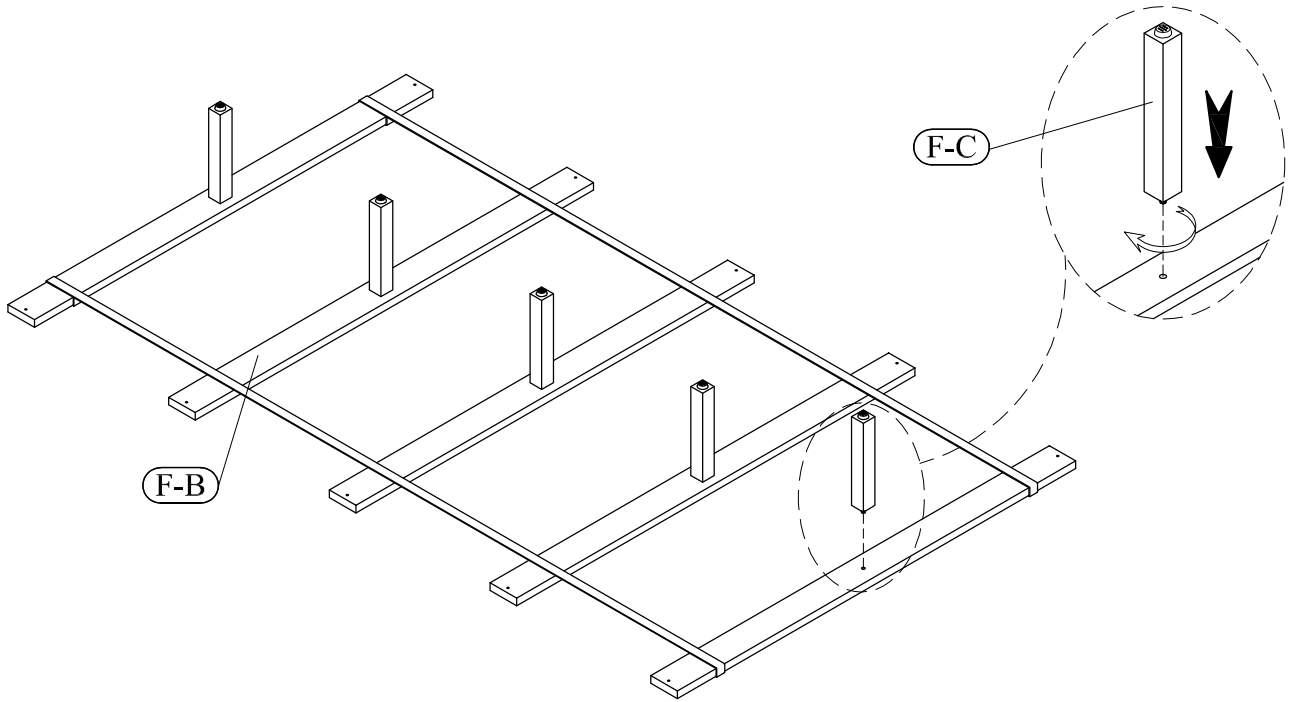
STEP 3



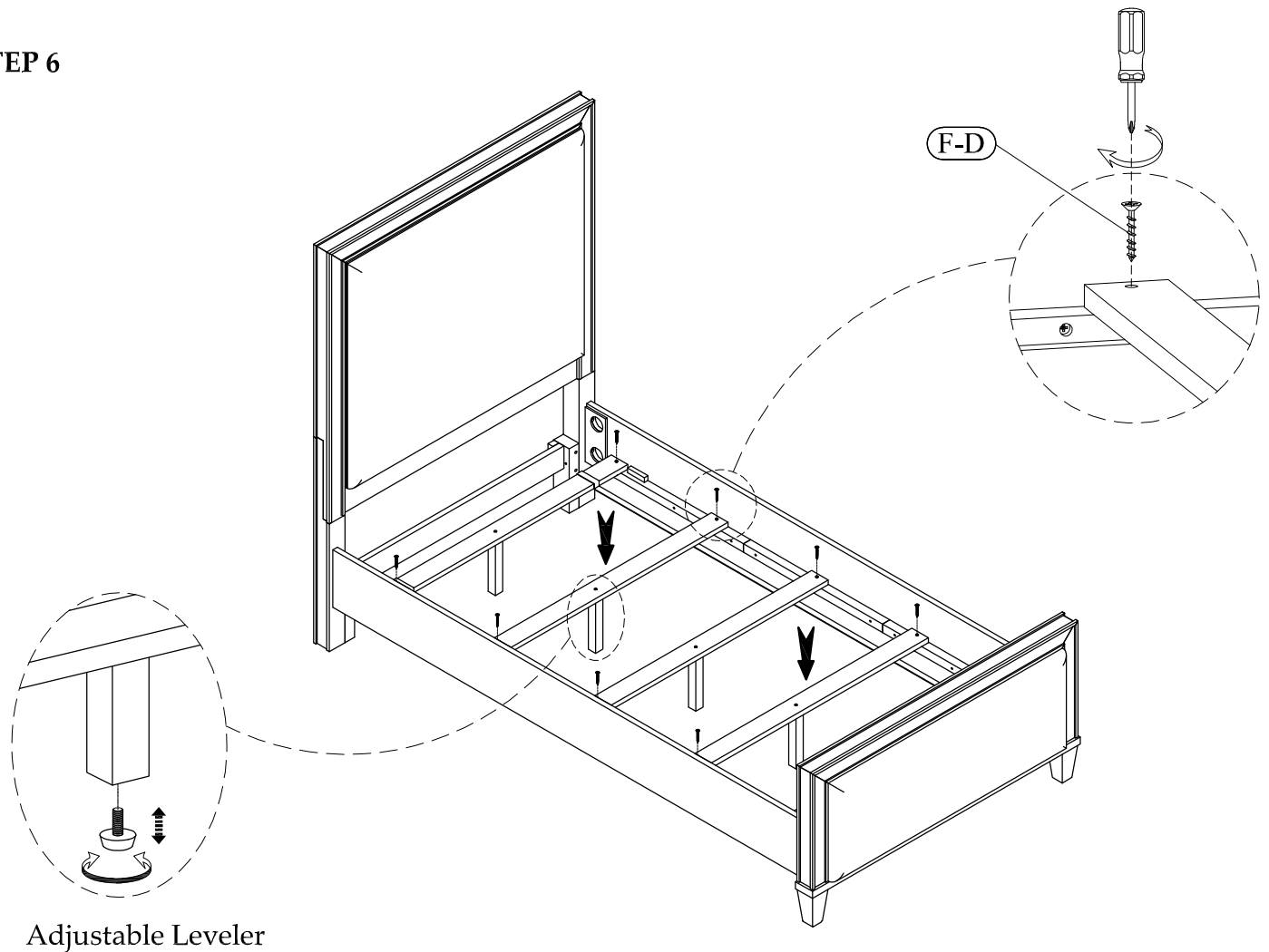
STEP 4



STEP 5



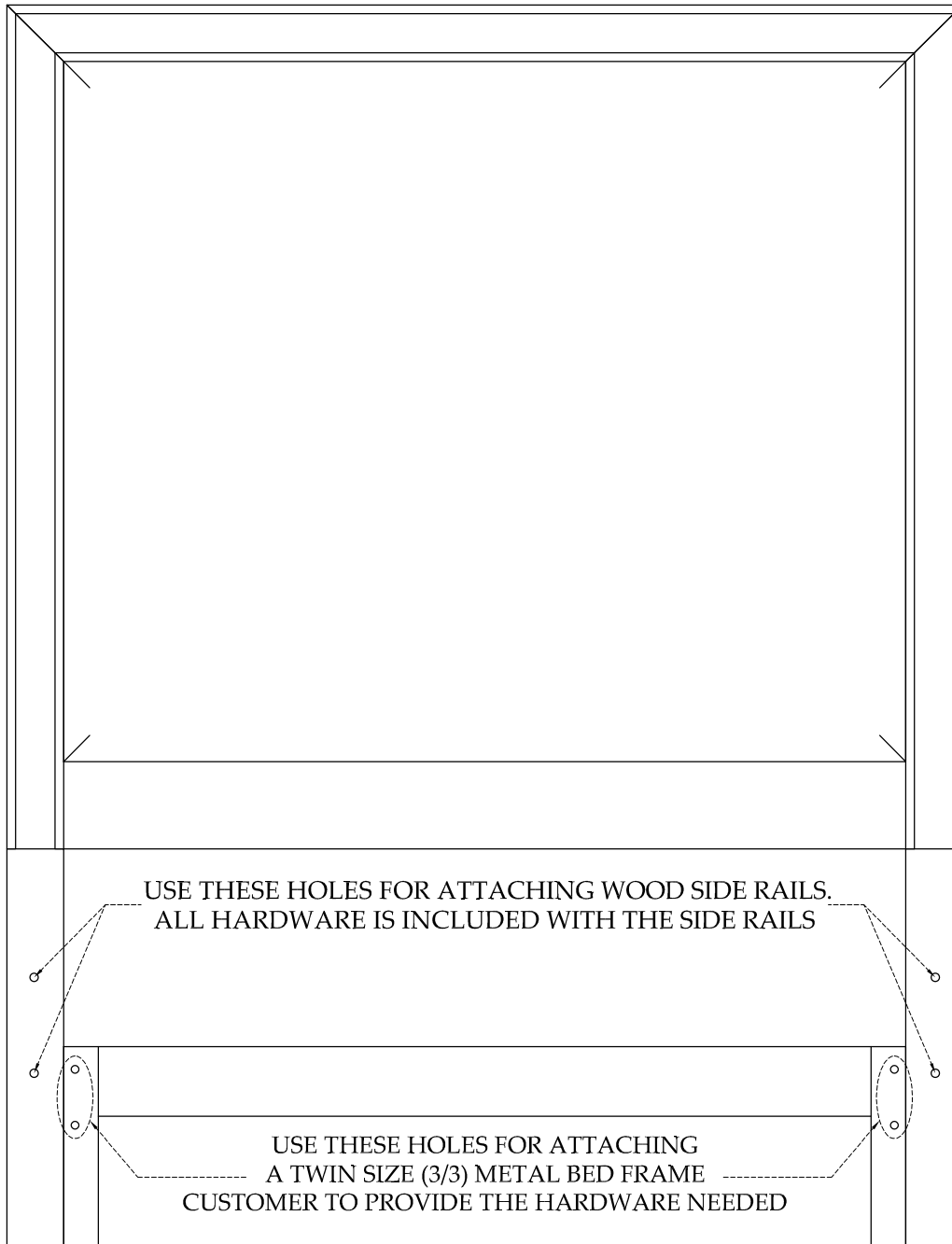
STEP 6



Adjustable Leveler

3/3 Twin Bed

30792 - 3/3 Upholstered Headboard



THE HEADBOARD MAY BE USED ALONE WITH
A TWIN SIZE METAL BED FRAME